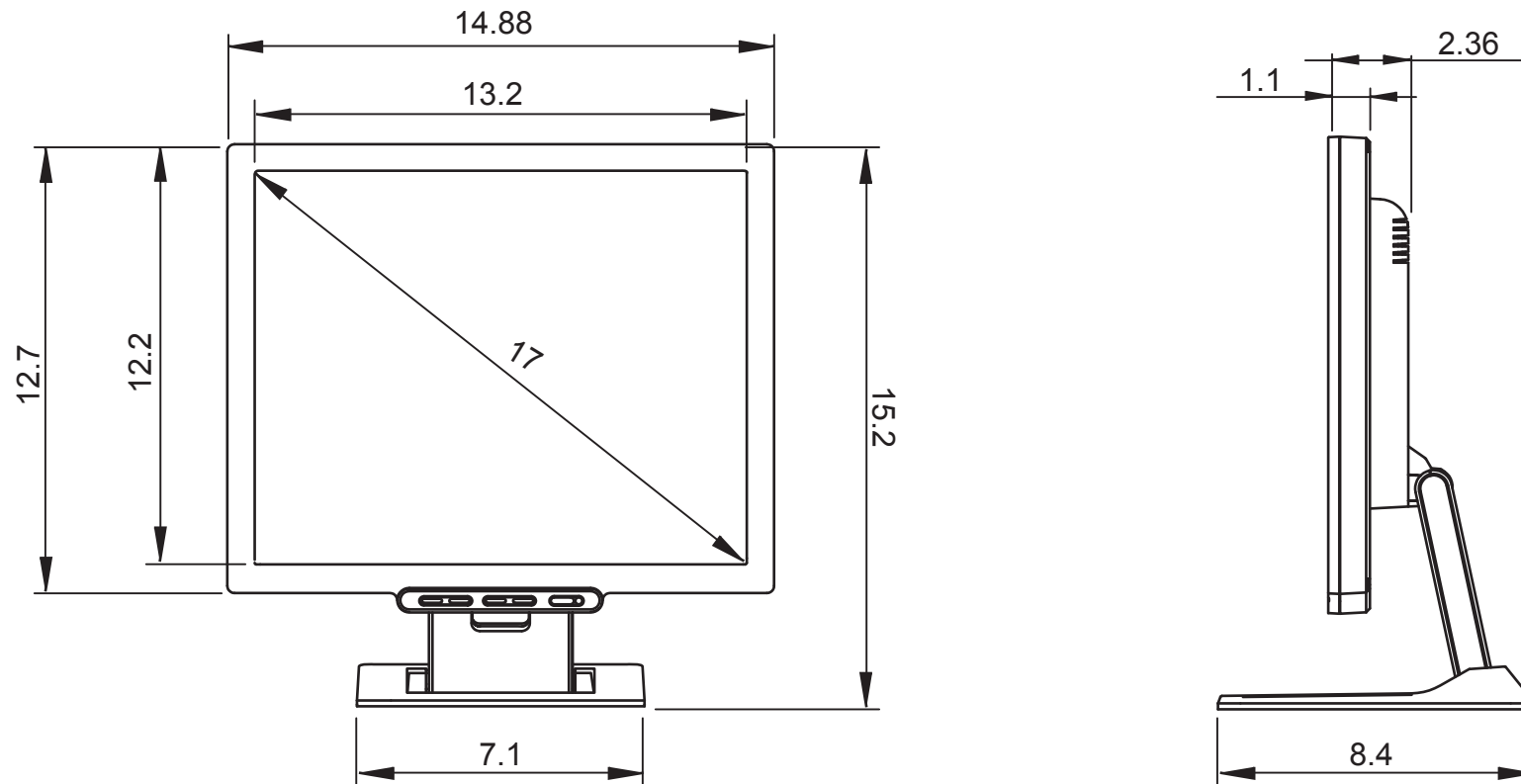


UNIT: INCH



MODEL NAME

17RTL

PRODUCT DIMENSION (w/ Stand)

14.88 W x 8.4 D x 15.2 H

(Inch)