

LCD DISPLAY MOUNT MODEL



RMK-08 RACK MOUNT

RACK MOUNT BRACKET ASSEMBLY

STEP 1

DUAL

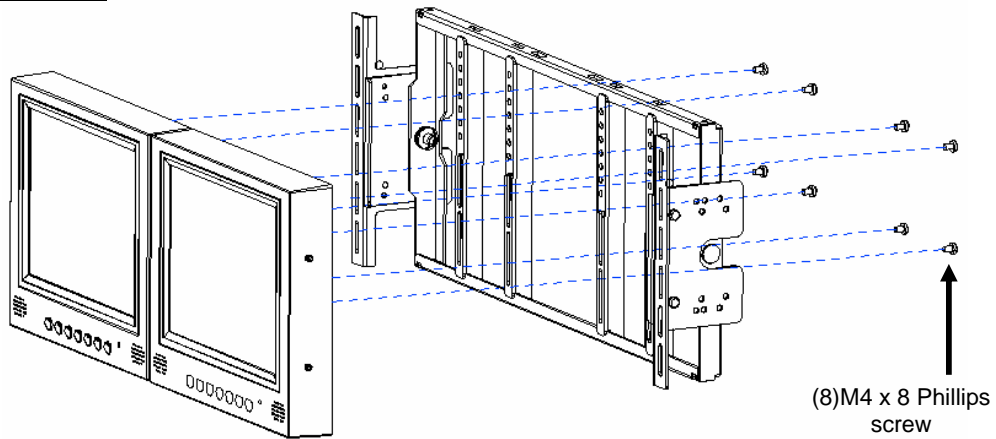


Figure 1

SINGLE

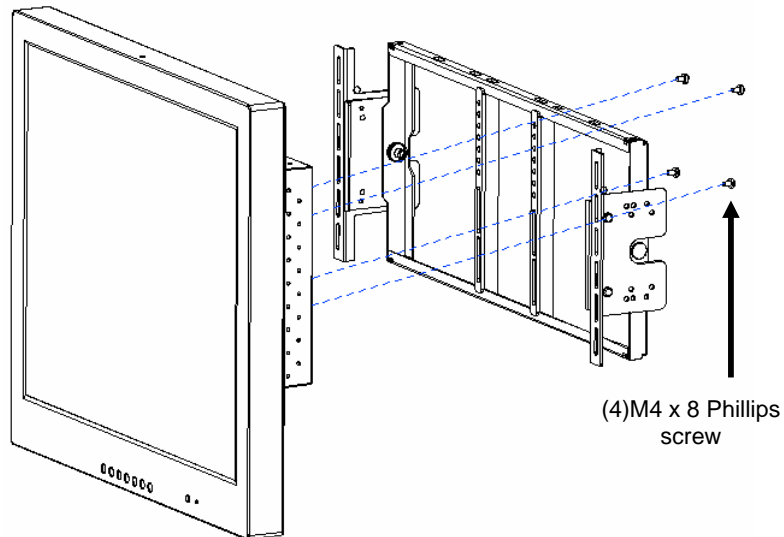


Figure 2

NON FLAT

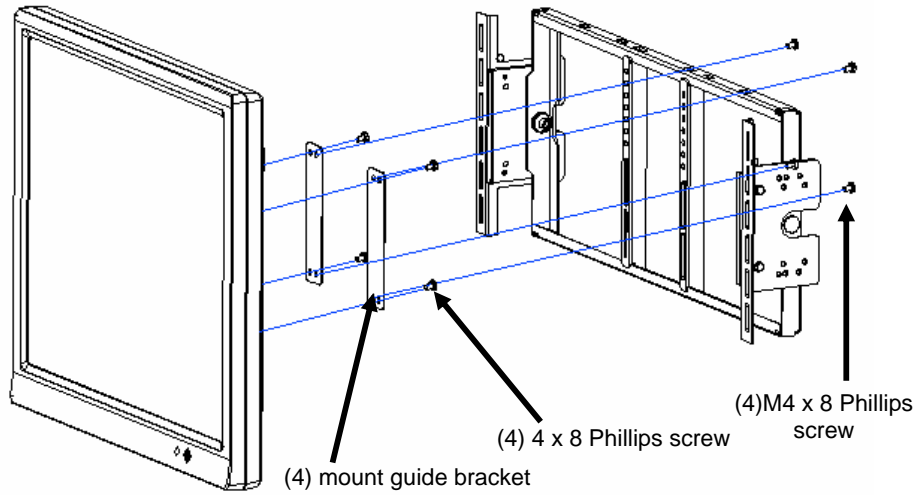


Figure 3

STEP2

Take the two (2) side brackets and adjust the location of side bracket before secure them to the Rack Mount Bracket mount using the (4) M4x8 Phillips screws. The front side of side bracket is recommended flat with a monitor. (figure 4, 5)

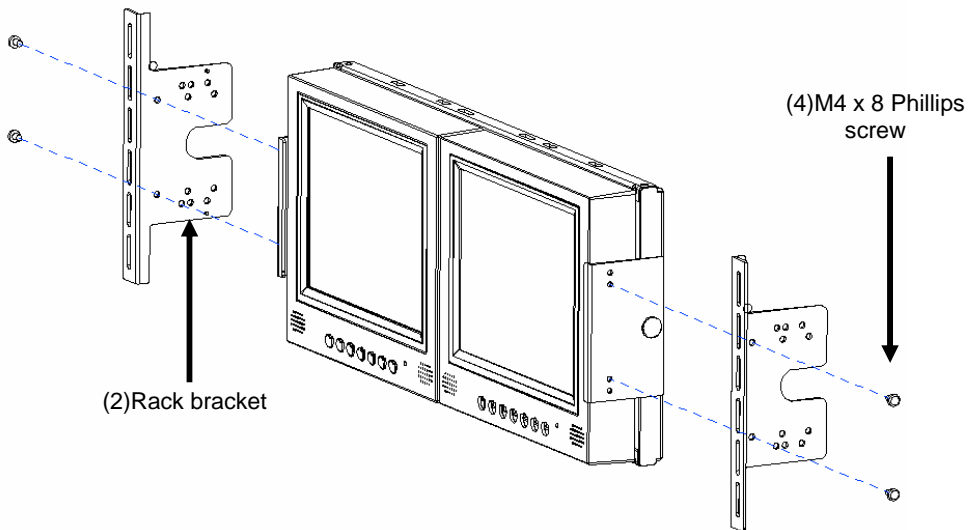


Figure 4

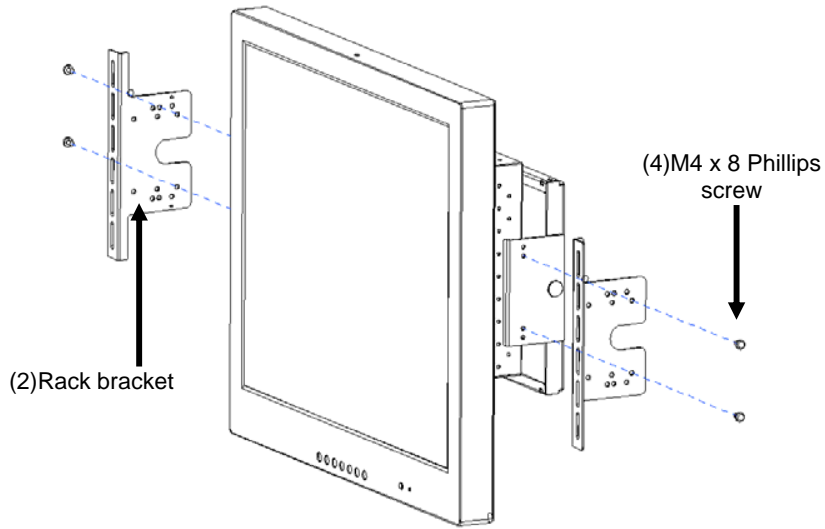


Figure 5

STEP 3

Secure the fully assembled rack mount to your cabinet using the four (4) M4 x 8 Phillips screw. (figure 6)

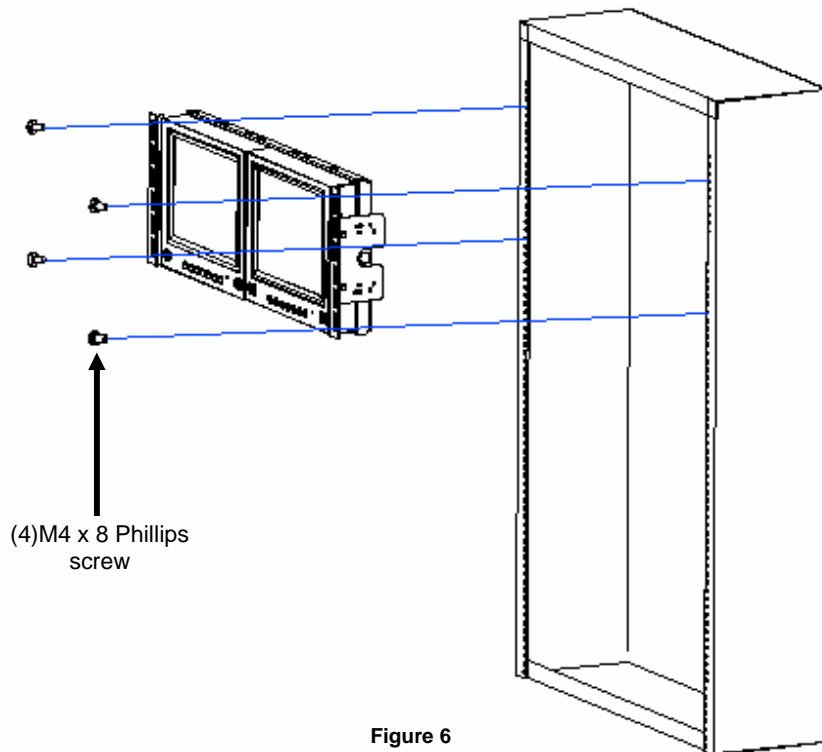


Figure 6

Technical Specifications

Units: mm

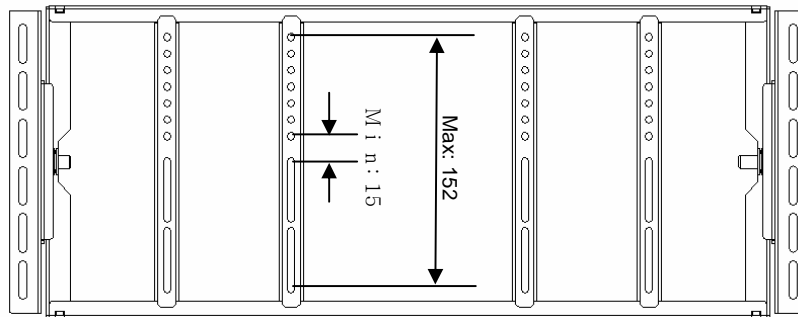
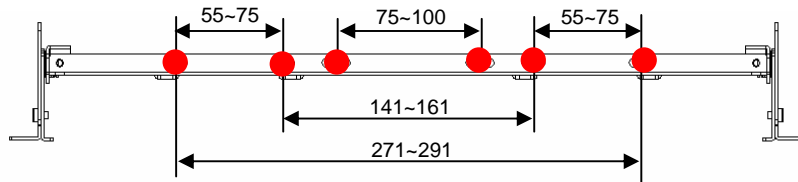
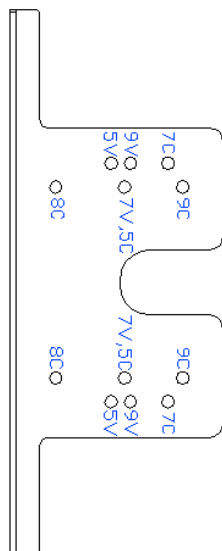


Figure 7

It can be selected the model easily using the below picture. (figure 8)



indication	Model Name
8C	8RTC,8RTF
5V	15RTV, UML-150-90
7V,5C	17RTV,15RTC UML-170-90
9V	19RTV, UML-190-90
7C	17RTC, UML-172-90
9 C	19RTC, UML-192-90

Figure 8

2Year Limited Warranty

All **Orion Images** products carry a limited warranty from ship date against defects in materials and workmanship. Orion Images is not liable for improper installation that results in damage to mounts, adapters, display equipment or personal injury.

Contact Orion Images

In the event of missing and/or damage equipment, or technical questions, the following information can help in the completion of the installation.

Address: 7300 Bolsa Avenue, Westminster, CA 92683

Tel: 714-766-6300 / Fax: 714-766-6310

Email: sales@orionimages.com

Website: <http://www.orionimages.com>