

BIG SCREEN FLAT LCD DISPLAY MOUNT MODEL



WB-72 WALL MOUNT BRACKET

TABLE OF CONTENTS

Warning Statements	3
Parts List	4
Installation Tools	4
Mounting Bracket Installation	5
WB-72 Installation	8
Installing the Flat Panel Display (WB-72)	10
Technical Specifications	11
Warranty	12
Contact	12

Warning Statements

WARNING

THE WALL STRUCTURE MUST BE CAPABLE OF SUPPORTING AT LEAST A MAXIMUM WEIGHT OF 50 LBS. IF NOT, THE WALL MUST BE REINFORCED. PROPER INSTALLATION PROCEDURE BY A QUALIFIED SERVICE TECHNICIAN, AS OUTLINED IN THE INSTALLATION INSTRUCTIONS, MUST BE ADHERED TO. FAILURE TO DO SO COULD RESULT IN SERIOUS PERSONAL INJURY, OR EVEN DEATH.

WARNING

SAFETY MEASURES MUST BE PRACTICED AT ALL TIMES DURING THE INSTALLATION OF THIS PRODUCT. USE PROPER SAFETY GEAR AND TOOLS FOR THE INSTALLATION PROCEDURE TO PREVENT PERSONAL INJURY.

WARNING

PRIOR TO THE INSTALLATION OF THIS PRODUCT, THE INSTALLATION INSTRUCTIONS SHOULD BE READ AND COMPLETELY UNDERSTOOD. THE INSTALLATION INSTRUCTIONS MUST BE READ TO PREVENT PERSONAL INJURY AND PROPERTY DAMAGE. KEEP THESE INSTALLATION INSTRUCTIONS IN AN EASILY ACCESSIBLE LOCATION FOR FUTURE REFERENCE.



Indicates that the power plug is to be disconnected from the power outlet.



Safety precautions must be taken at all times.



Warning and Caution statements.



A secure structure must support the weight, or load, of the display. When mounting to a wall that contains wooden studs, dead center of the wooden stud must be confirmed prior to installation.



Do not install on a structure that is prone to vibration, movement or chance of impact. Failure to do so could result in damage to the display and/or damage to the mounting surface.



Do not install near heater, fireplace, direct sunlight, air conditioning or any other source of direct heat energy. Failure to do so may result in damage to the display and could increase the risk of fire.



At least two qualified people should perform the installation procedure. Injury and/or damage can result from dropping or mishandling the display.



Recommended mounting surfaces: wooden studs and solid-flat concrete. If the mount is to be installed on any surface other than wooden studs, use suitable hardware (which is commercially available).

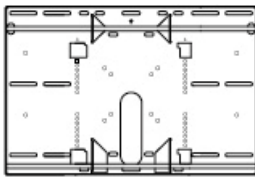


Contact Orion Images with any technical/ installation questions.

Part List

NOTE:

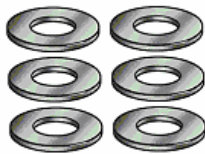
This wall mount is shipped with all proper installation hardware and components. Make sure that none of these parts are missing and/or damaged before beginning installation. If there are parts missing and/or damaged, please stop the installation and contact Orion Images. 714-766-6300



WB-72 Wall Plate (Qty 1)



Mounting Brackets (Qty 2)



5/16" Flat Washers (Qty 6)



5/16" x 3" Lag Bolts (wooden studs only) (Qty 6)



M6 x 30mm Lateral Shift Locking Screws (Qty 2)



Griplates™ (Qty 6)



M6 x 12mm Safety Knobs (Qty 2)



M8 Nylon Spacers (Qty 6)



M8 x 25mm Phillips Pan Head Screws (Qty 6)

Installation Tools

Phillips Head Screw Driver,
Pencil
Level (Supplied)

Soft Material/ Blanket,
Tape Measure,

1/2" Socket and Wrench
Drill Gun,

Mounting Bracket Installation

NOTE: Proper installation procedure by qualified personnel as outlined in the installation instructions must be adhered to. Failure to do so could result in serious personal injury and possible damage to the flat panel.

WARNING: INVERT THE FLAT PANEL. PLACE IT ON A SOFT, FLAT SURFACE TO PREVENT DAMAGE TO THE FLAT PANEL. USE A BLANKET, FOAM, ETC. FAILURE TO DO SO WILL RESULT IN DAMAGING THE FLAT PANEL. DO NOT LAY THE FLAT PANEL ON THE FLOOR WITHOUT ANY PROTECTION TO THE GLASS. THE FLAT PANEL IS HEAVY AND FRAGILE. AT LEAST (2) QUALIFIED PERSONNEL ARE STRONGLY RECOMMENDED FOR INSTALLATION OF THIS PRODUCT. FAILURE TO DO SO COULD RESULT IN SERIOUS INJURY AND POSSIBLE DAMAGE TO THE FLAT PANEL.

1. Once the flat panel is inverted, use a measuring tape to find the center of your flat panel measuring from outside to outside of the chassis (Figure 4).
2. Using a pencil lightly mark the center of your flat panel (Figure 5).

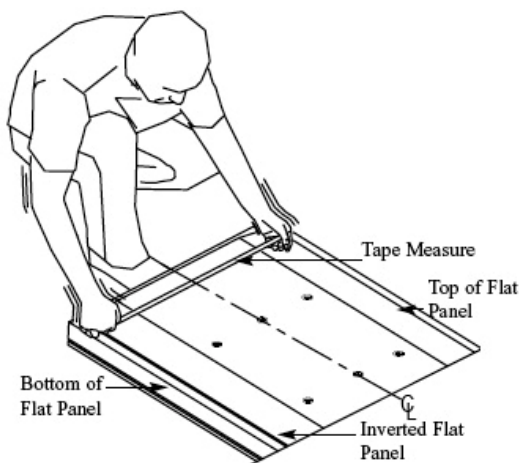


Figure 4

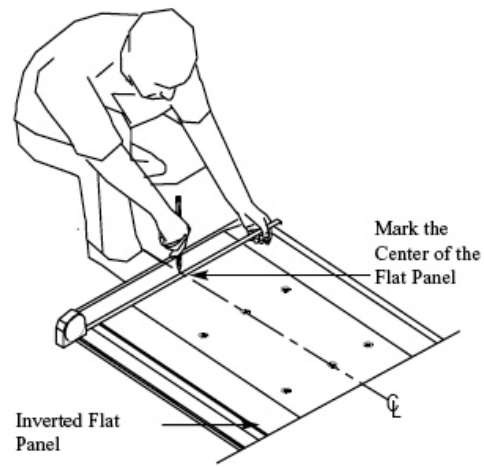


Figure 5

3. Determine where the mounting points are (Figure 6).
4. Lay the mounting brackets (stamped arrows facing out) over the mounting points (Figure 7).

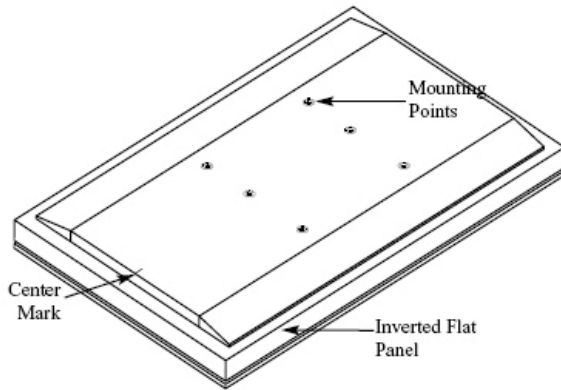


Figure 6

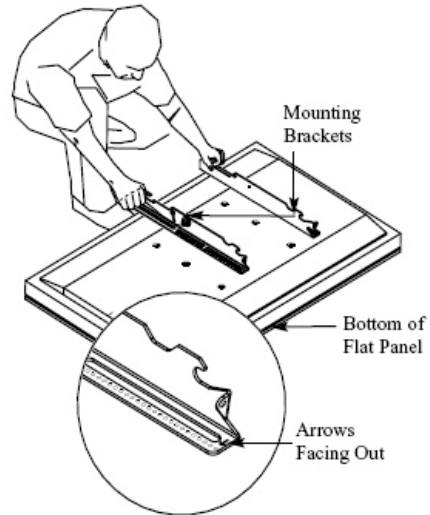


Figure 7

5. Match the center of viewing guide with the centerline you marked in Step 1 (Figure 8).
6. The mounting brackets are designed with a center of viewing guide on the outside (Figure 9).

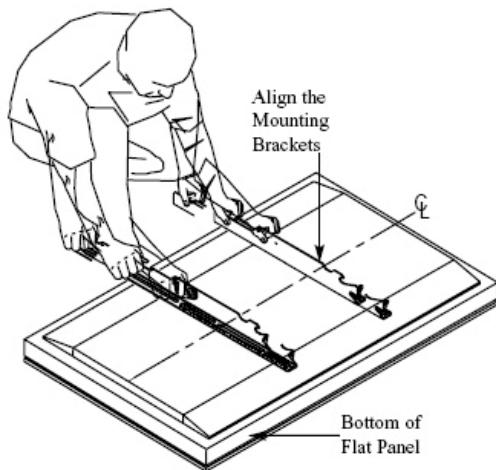


Figure 8

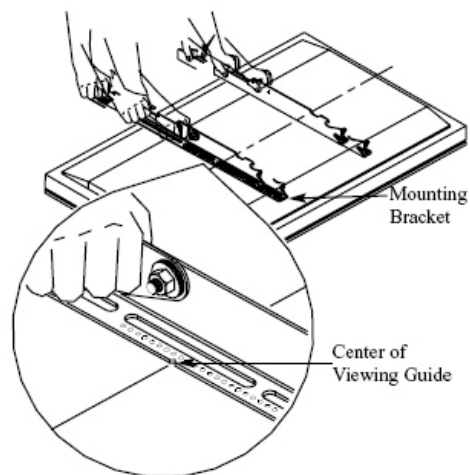


Figure 9

7. The Griplates™ have M4, M5, M6 and M8 hole patterns to fit the hardware that your flat panel requires.

EXAMPLE: If your plasma uses M8 x 20 Phillip screws. Use the M8 mounting points (Figure 10)..

8. Once the mounting brackets are aligned secure the Griplate™ to the flat panel. Use (1) Griplate™ per mounting point (Figure 11).

NOTE: The dimples of the top plates have to be facing up and the bottom dimples must be facing down.

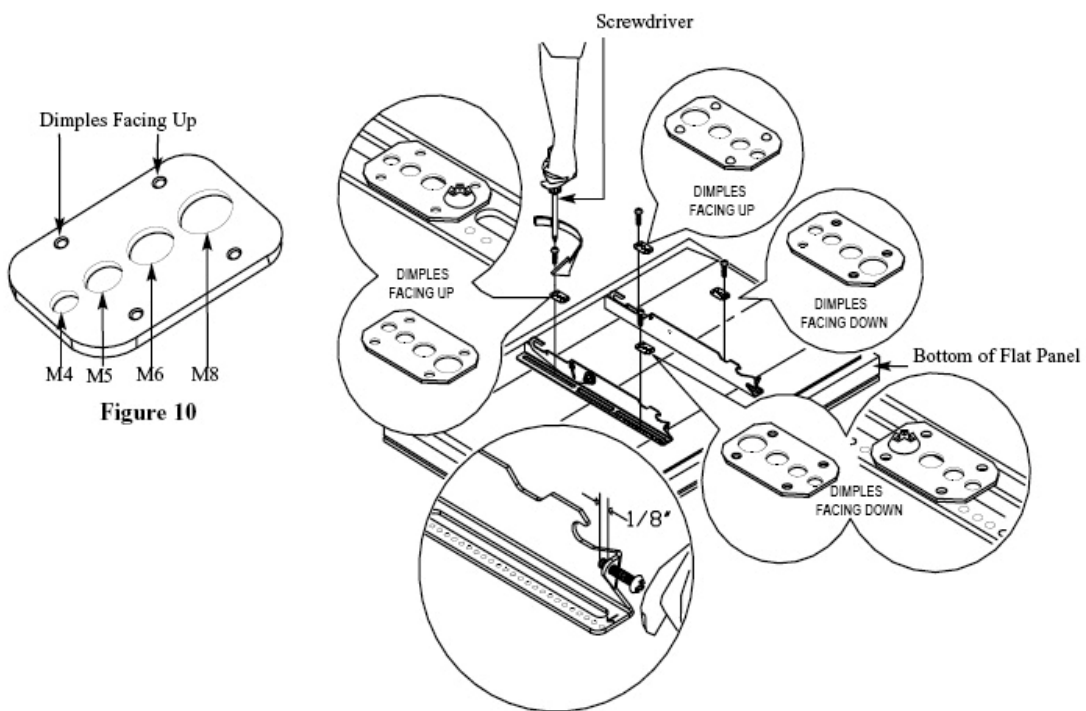
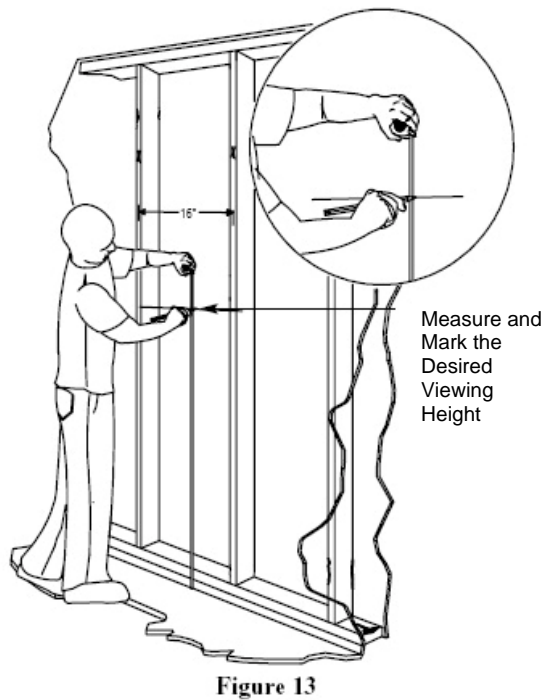
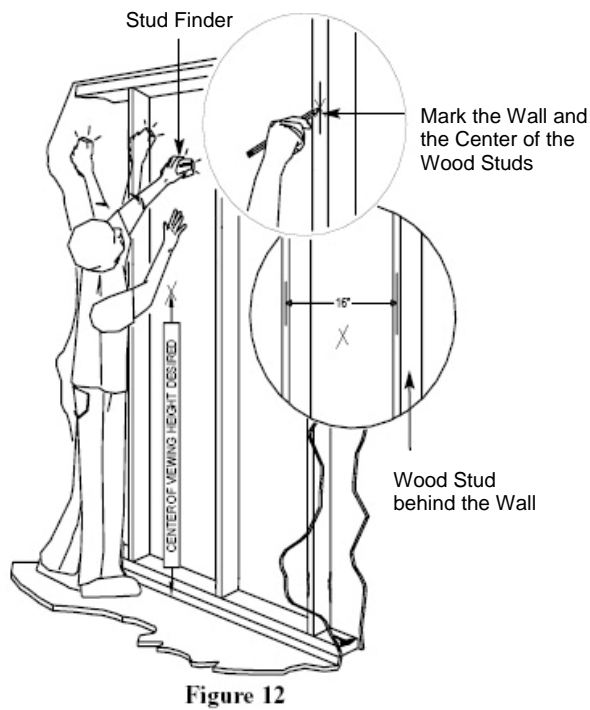


Figure 11

WB-72 Installation

1. Using a (commercially available) wood stud finder, locate the 16" or 24" stud centers behind the wall (Figure 12).
2. Once found, make a pencil marking on the center of the wood studs (Figure 13)
NOTE: *The wall plates have 16" and 24" mounting slot positions.*
3. Place the wall plate to the reference line and mark the six (6) lag bolt mounting points through the wall plate slots on the wall..



4. Level the wall plate with the reference arrow pointing up to the ceiling (Figure 15).
5. Drill six (6) $\frac{1}{4}$ " pilot holes to the marked wall.
6. Secure the plate using the six (6) $\frac{5}{16}$ " lag bolts and flat washers (Figure 16).

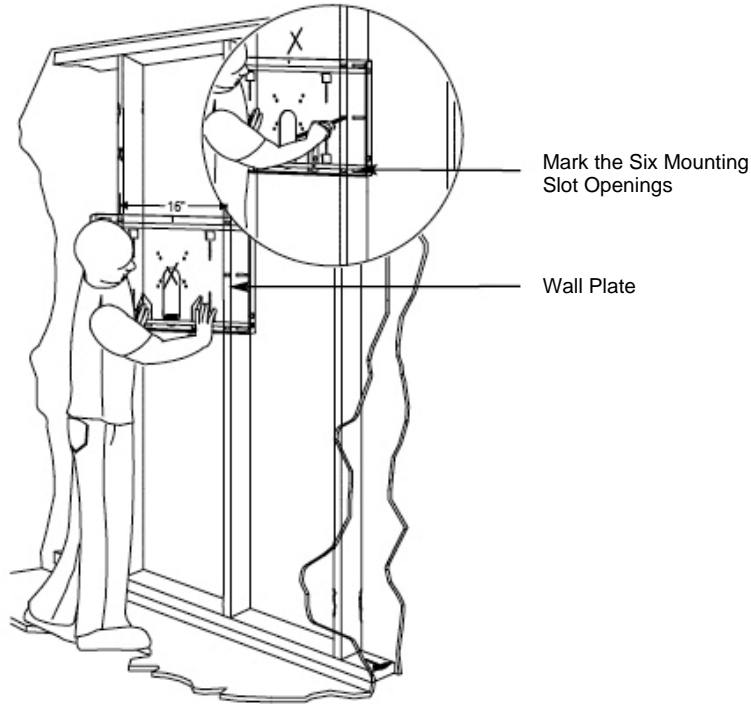


Figure 14

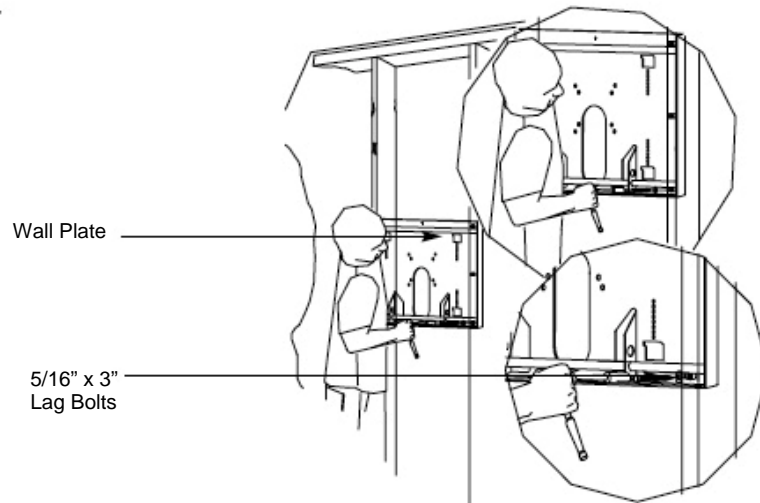


Figure 15

Installing the Flat Panel Display (WB-72)

WARNING: AT LEAST (2) QUALIFIED PERSONNEL ARE STRONGLY RECOMMENDED FOR INSTALLATION OF THIS PRODUCT. FAILURE TO DO SO COULD RESULT IN SERIOUS INJURY AND POSSIBLE DAMAGE TO THE FLAT PANEL.

1. Raise the flat panel with the mounting brackets secured to the flat panel and insert the top hooks over the upper rod. The lower hooks should rest on the lower rod (Figure 16).

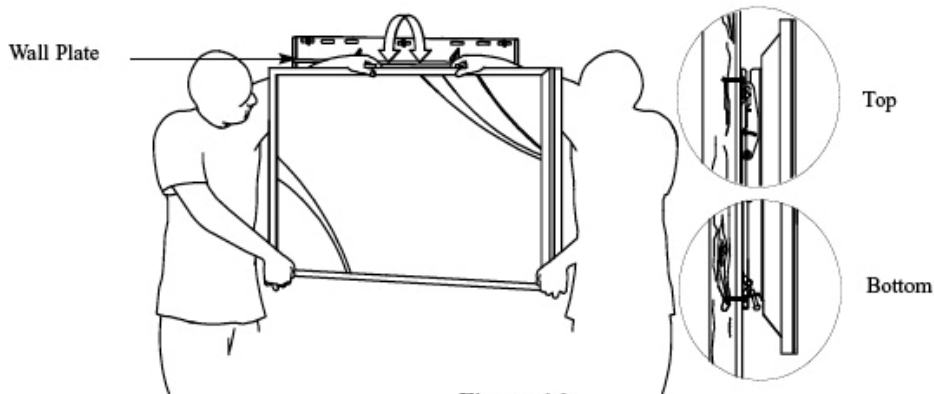


Figure 16

2. Make any lateral shift adjustment and lock it by tightening the two (2) M6 x 30mm Phillips screws found on the bottom of the mounting brackets. Use the foot leveler to adjust your plasma.

CAUTION: Do not over tighten the M6 x 30mm screws to the rods (Figure 17).

NOTE: To remove the display from the wall simply back off the M6 x 30mm screws using a Phillips screwdriver and lift the unit off the wall carefully.

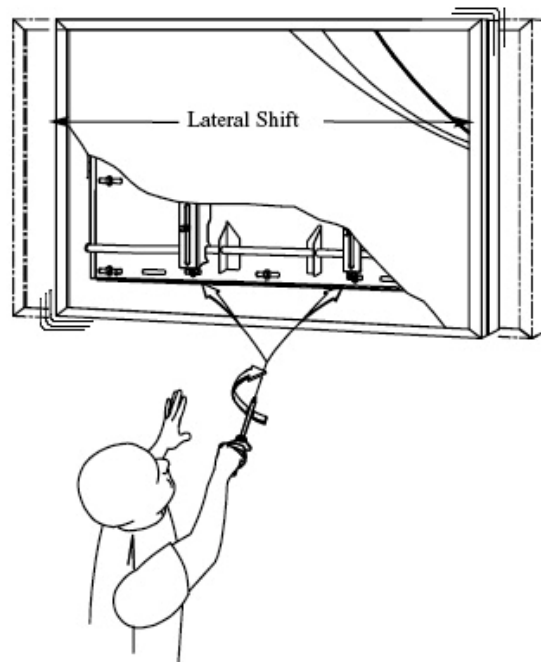


Figure 17

3. Tilt the flat panel and secure the two (2) M6 x 12mm safety knobs to each of the mounting brackets (Figure 18).

NOTE: To remove the display from the wall simply extend the display to its maximum tilt range, remove the two 6 (mm) safety knurl knobs push the flat panel back to its flat position, loosen or remove the two (2) M6 x 30 lateral shift screws and lift the unit off the wall.

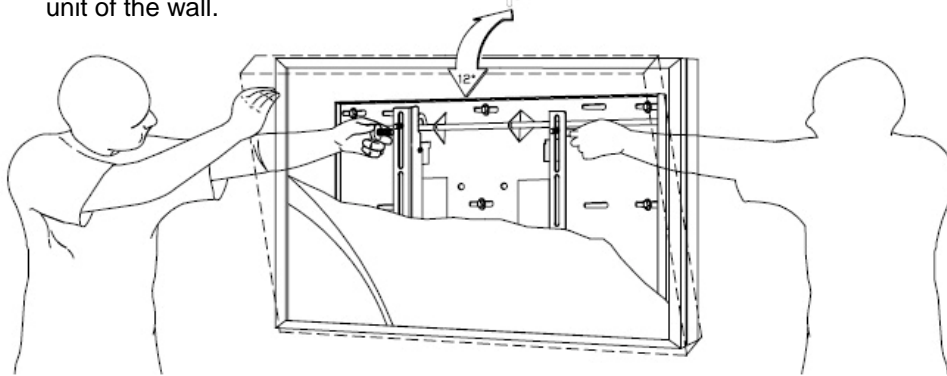
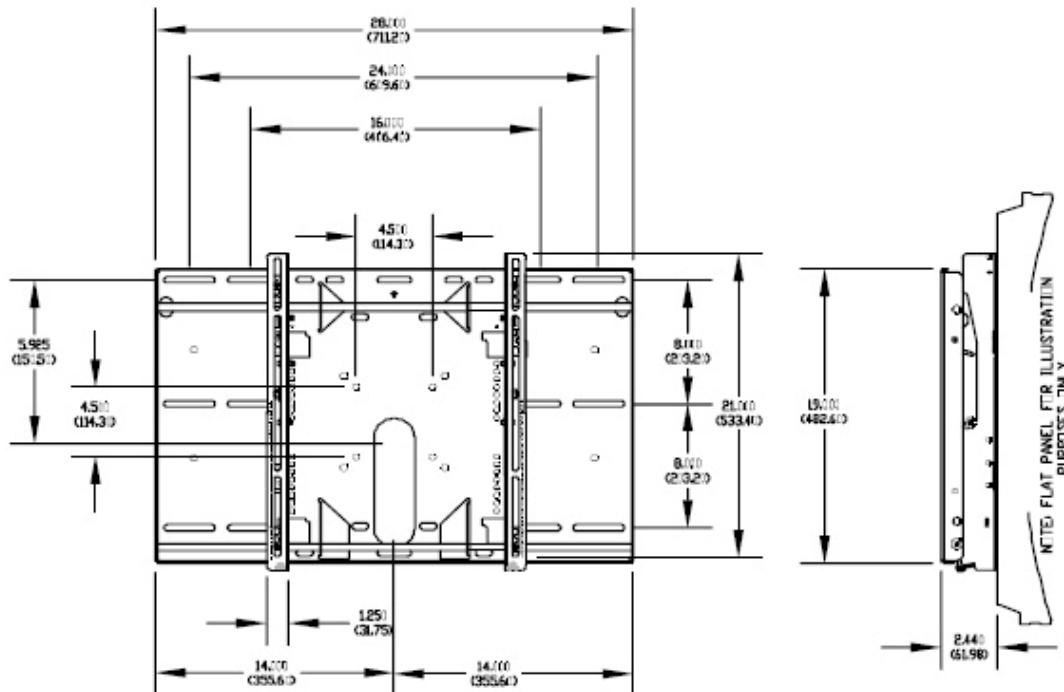


Figure 18

Technical Specifications



2Year Limited Warranty

All **Orion Images** products carry a limited warranty from ship date against defects in materials and workmanship. Orion Images is not liable for improper installation that results in damage to mounts, adapters, display equipment or personal injury.

Contact Orion Images

In the event of missing and/or damage equipment, or technical questions, the following information can help in the completion of the installation.

Address: 7300 Bolsa Avenue, Westminster, CA 92683

Tel: 714-766-6300 / Fax: 714-766-6310

Email: sales@orionimages.com

Website: <http://www.orionimages.com>