



SPECIAL FEATURES

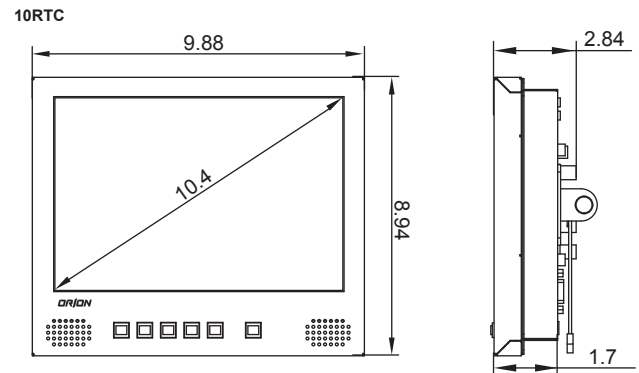
- 3D Comb Filter, Deinterlace
- Built-In Speakers
- 800 x 600 at 60Hz Maximum Resolution
- 300cd/m² Brightness
- 500:1 Contrast Ratio
- 30ms Response Time
- Multi-Language Support
- Trigger Sensor is Featured
- Wall and Rack Mount Kit Available

SPECIFICATIONS

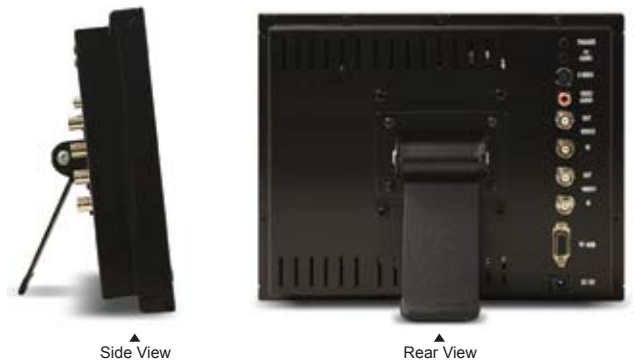
		10RTC
Display	Screen Size	10 Inch
	Max. Resolution	800 x 600 @ 75Hz
	Pixel Pitch	0.264 x 0.264mm
	Brightness	300cd/m ²
	Contrast Ratio	500 : 1
	Aspect Ratio	4 : 3
	Viewing Angle (H/V)	150° / 110°
	Display Color	262 Kilo
	Response Time	< 30ms
	Video System	NTSC / PAL
Interface	Video In / Out (BNC Type)	2 / 2
	S-Video In / Out	1 / 0
	VGA In (15Pin D-Sub)	1
	Audio In (RCA Type)	1
	PC Stereo In	1
Audio	Built-in Speakers	Yes (2W x 2)
	Filter Type	3D Comb Filter / Deinterlace
	Trigger Sensor	Yes
Features	Multi Language	English, Spanish, French, German, Italian
	Outline Dimension	9.88" W x 8.94" H x 2.84" D
	Net. Weight	2.49Kg (5.4lbs)
Cabinet	Material / Color	Metal / Black
	Base Stand	Folding Leg
Warranty	Part/Labor	2year / 2year
	MTBF (Approx.)	20,000 Hours
Regulations		RoHS, TUV NRTL (optional), CB, FCC(A), CE-Emc(LVD)
Power	Consumption: < On	< 20W
	Electrical Ratings	AC100 ~ 240V(50/60Hz) DC12V / 3A
Circumstance	Operating Temperature	0 ~ 50 C° / 32 ~ 122 F°
	Storage Temperature	-20 ~ 70°C / -4 ~ 158°F
Mounts	VESA™ Mount Size	100 x 100mm
	Wall	WB-5, WB-10, WB-30, WB-31
	Ceiling	CMK-01
	Rack	RMK-08

*Design and specifications are subject to change without notice

DIMENSIONS



OTHER VIEW



MOUNT OPTION



Optional RMK-08 for Rack Mount