



Public View Display w/ **Built in Camera**

SPECIAL FEATURES

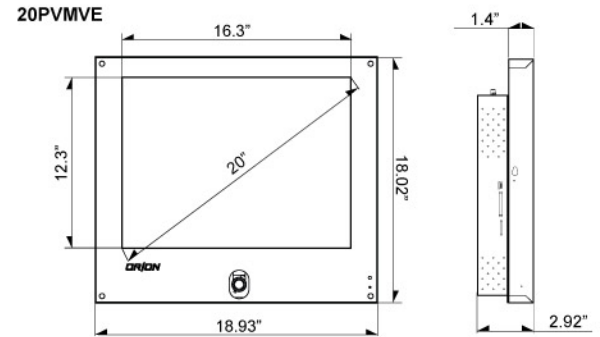
- 1/3" SONY Super HAD CCD
- All Front Acrylic LCD Protective Shield
- 2D Comb Filter
- Multiple Source Connectivity
- 540 TV Line Horizontal Resolution
- 0.1 Lux / F1.4 (AGC On) Sensitivity
- Optional Mounts: Wall or Ceiling Mount Kits
- Optional WDR Camera

SPECIFICATIONS

		20PVMVE
Display	Screen Size	20 inch
	Max. Resolution	640 x 480 @ 75Hz
	Pixel Pitch	0.637 x 0.637mm
	Brightness	300cd/m ²
	Contrast Ratio	800 : 1
	Aspect Ratio	4 : 3
	Viewing Angle	178° / 178°
	Display Color	16.2 Million
	Response Time	< 25ms
	Video System	NTSC / PAL
Interface	Video In / Out (BNC Type)	1 / 2 (Include Camera Out)
	S-Video In / Out	1 / 1
	VGA In (15Pin D-Sub)	1
	Audio In (RCA Type)	2 (L+R)
Transmitter	Remote Control	Yes
Audio	Built-in Speakers	Yes (2W x 2)
	Filter Type	2D Comb Filter
Features	LCD Protection	All Front Acrylic Shield
	Multi Language	English, Spanish, French
	Auto Source Sequencing	N/A
	Motion Sensor	Microwave Motion Sensor (10 ~ 30 feet)
Dimension	Outline Dimension (W x H x D)	18.93" x 18.02" x 2.92"
	Net. Weight	20.28 lbs (9.2 Kg)
Cabinet	Material / Color	Powder Coat Metal / Black
Warranty	Part/Labor	2year / 2year
	MTBF (Approx.)	50,000 Hours
Regulations		RoHS, TUV-NRTL(=UL), CB, FCC(A), CE-Emc(LVD)
Power	Consumption: < On	< 60W
	Electrical Ratings	AC100 ~ 240V(50/60Hz) DC 12V / 5A
Circumstance	Operating Temperature	0 ~ 50° C / 32 ~ 122° F
	Storage Temperature	-20 ~ 60° C / -4 ~ 140° F
Camera	Camera Type	Normal Camera
	Mechanical Design	Tilt Swivel Camera
	Signal / Scanning System	NTSC / PAL
	Image Sensor	1/3" INTER LINE TRANSFER TYPE COLOR CCD
	Pixel System	Sony CCD
	AGC Control	More than 50dB (AGC off)
	Resolution	Horizontal: 540TV Lines
	Lens Mount	4~9mm Varifocal Lens (F=1.5)
	Sensitivity	0.1Lux (Normal Mode)
	Electronic Shutter	1/60 ~ 1/100,000 Sec.
Mounts	VESA™ Mount Size	100 x 100mm (BS M4 x 10mm Screw)
	Wall	WB-05, WB-10, WB-30, WB-31
	Ceiling	CMK-01
Card Reader	Media Card Reader	Optional

*Design and specifications are subject to change without notice

DIMENSIONS



WHERE TO USE

PVME can be used in Restaurant, Grocery Store, Casino, School, Financial Institute, Dealership, Department Store, Convenience Store, Mall, Transportation, Airport, Public Arena, High Technology Store and etc...

