



SPECIAL FEATURES

- Metal Chassis
- PIP / PBP Multi Display Function
- 3D Comb Filter, Deinterlace, Noise Reduction, LCD Protection Glass, Auto Source Sequencing, Trigger Sensor, Auto Pixel Shift, Multi-Language Support
- BNC Video 2 In / 2 Out, S-Video 1 In / 1 Out, VGA 1 In, Component 1 In, DVI-D 1 In, HDMI 2 In, Audio 3 In, PC Stereo 1 In
- Built-In Speakers
- Wall and Rack Mount Kit

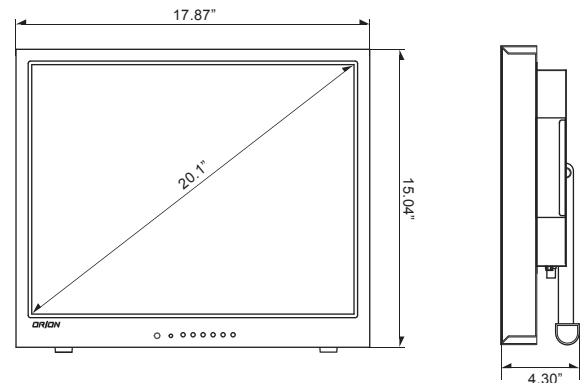
SPECIFICATIONS

		20RTH
Display	Screen Size	20.1 Inch
	Max. Resolution	1600 x 1200 @ 60Hz
	Pixel Pitch	0.255 x 0.255mm
	Brightness	300cd/m ²
	Contrast Ratio	800 : 1
	Aspect Ratio	4 : 3
	Viewing Angle (H/V)	178° / 178°
	Display Color	16.7 Million
	Response Time	< 18ms
	Video System	NTSC / PAL
Interface	Video In / Out (BNC Type)	2 / 2
	S-Video In / Out	1 / 1
	VGA In (15Pin D-Sub)	1
	Component	1
	DVI-D In / HDMI In	1 / 2
	Audio In (RCA Type)	3 (L+R)
	PC Stereo In	1
Transmitter	Remote Control	Yes
Audio	Built-in Speakers	Yes (2W x 2)
	Picture In Picture (PIP)	Analog / Digital
Features	Picture By Picture (PBP)	BNC / BNC
	Enhanced Picture	3D Comb Filter / Deinterlace / Noise Reduction
	Trigger Sensor	Yes (NO / NC)
	LCD Protection Glass	Yes
	Auto Pixel Shift	Yes
	Auto Source Sequencing	Yes
	Multi Language	English, Spanish, French, German, Italian
	Dimension	Outline Dimension (W x H x D)
Net. Weight		7.98Kg (18.3lbs)
Cabinet	Material / Color	Metal / Black
	Base Stand	Folding Leg
Warranty	Part/Labor	2year / 2year
	MTBF (Approx.)	45,000 Hours
Regulations		RoHs, TUV NRTL, CB, FCC(A), CE-Emc(LVD)
Power	Consumption: < On	< 60W
	Electrical Ratings	AC100 ~ 240V(50/60Hz) DC 24V / 2.5A
Circumstance	Operating Temperature	0 ~ 50°C / 32 ~ 122°F
	Storage Temperature	-20 ~ 60°C / -4 ~ 140°F
Mounts	VESA™ Mount Size	100 x 100mm
	Wall	WB-5, WB-10, WB-30, WB-31
	Ceiling	CMK-01

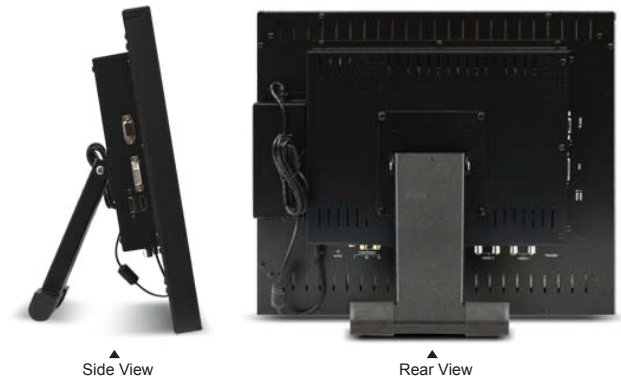
*Design and specifications are subject to change without notice

DIMENSIONS

20RTH



OTHER VIEW



Side View

Rear View

MOUNT OPTION

