



SPECIAL FEATURES

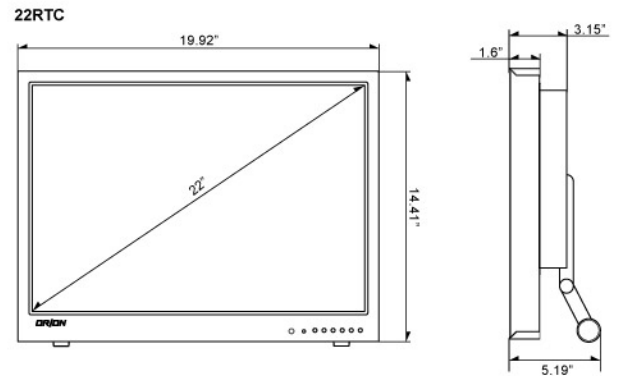
- Metal Chassis
- PIP / PBP Multi Display Function
- 3D Comb Filter / Deinterlace, Noise Reduction, LCD Protection Glass, Source Cycle Function, Trigger Source Switching, Multi-Language Support
- BNC Video 2 In / 2 Out, S-Video 1 In / 1 Out, VGA 1 In, Component 1 In, DVI-D 1 In, HDMI 1 In, Audio 2 In, PC Stereo 1 In
- Built-In Speakers
- Wall and Rack Mount Kit

SPECIFICATIONS

		22RTC
Display	Screen Size	22 Inch
	Max. Resolution	1680 x 1050 @ 60Hz
	Pixel Pitch	0.282 x 0.282mm
	Brightness	300cd/m ²
	Contrast Ratio	800 : 1
	Aspect Ratio	16 : 10
	Viewing Angle (H/V)	160° / 160°
	Display Color	16.7 Million
	Response Time	< 5ms
	Video System	NTSC / PAL
Interface	Video In / Out (BNC Type)	2 / 2
	S-Video In / Out	1 / 1
	VGA In (15Pin D-Sub)	1
	Component	1
	DVI-D In / HDMI In	1 / 1
	Audio In (RCA Type)	3 (L+R)
	PC Stereo In	1
Transmitter	Remote Control	Yes
Audio	Built-in Speakers	Yes (2W x 2)
	Picture In Picture (PIP) Picture By Picture (PBP)	Analog / Digital BNC / BNC
Features	Filter Type	3D Comb Filter / Deinterlace
	Trigger Sensor	Yes (NO / NC)
	LCD Protection Glass	Yes
	Noise Reduction	Yes
	Auto Source Sequencing	Yes
	Multi Language	English, Spanish, French, German, Italian
	Outline Dimension (W x H x D)	19.92" x 14.41" x 3.15"
Net. Weight	8.39Kg (18.5lbs)	
Cabinet	Material / Color	Metal / Black
	Base Stand	Folding Leg
Warranty	Part/Labor	2year / 2year
	MTBF (Approx.)	50,000 Hours
Regulations		RoHs, TUV NRTL (optional) , CB, FCC(A), CE-Emc(LVD)
Power	Consumption: < On	< 60W
	Electrical Ratings	AC100 ~ 240V(50/60Hz) DC 12V / 6.5A
Circumstance	Operating Temperature	0 ~ 50° C / 32 ~ 122° F
	Storage Temperature	-20 ~ 60° C / -4 ~ 140° F
Mounts	VESA™ Mount Size	100 x 100mm (BS M4 x 8mm Screw)
	Wall	WB-5, WB-10, WB-30, WB-31
	Ceiling	CMK-01

*Design and specifications are subject to change without notice

DIMENSIONS



MOUNT OPTION

