



SPECIAL FEATURES

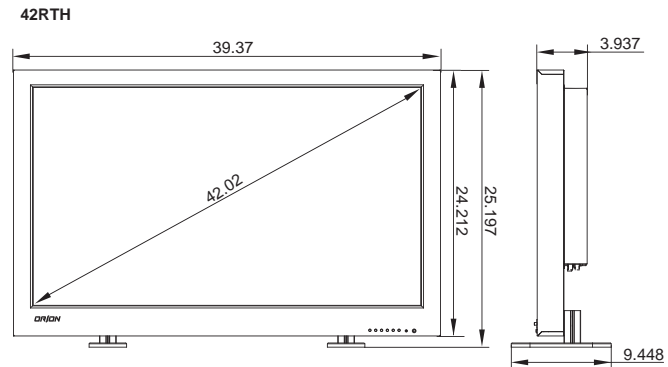
- 1920 x 1080 Full HD (FHD)
- Metal Chassis
- PIP / PBP Multi Display Function
- 3D Comb Filter / Deinterlace, Noise Reduction, Source Cycle Function, Trigger Source Switching, Multi-Language Support
- BNC Video 2 In / 2 Out, S-Video 1 In / 1 Out, VGA 1 In, Component 1 In, DVI-D 1 In, HDMI 2 In, Audio 2 In, PC Stereo 1 In
- Built-In Speakers
- Optional Wall and Ceiling Mount Kit

SPECIFICATIONS

		42RTH
Display	Screen Size	42.02 Inch
	Max. Resolution	1920 x 1080 @ 60Hz
	Pixel Pitch	0.4845 x 0.4845mm
	Brightness	400cd/m ²
	Contrast Ratio	4000 : 1
	Aspect Ratio	16 : 9
	Viewing Angle (H/V)	178° / 178°
	Display Color	10bits / 1.06 Billion
	Response Time	< 7ms (Gray to Gray)
	Video System	NTSC / PAL
Interface	Video In / Out (BNC Type)	2 / 2
	S-Video In / Out	1 / 1
	VGA In (15Pin D-Sub)	1
	Component	1
	DVI-D In / HDMI In	1 / 2
	Audio In (RCA Type)	3 (L+R)
	PC Stereo In	1
Transmitter	Remote Control	Yes
Audio	Built-in Speakers	Yes (4W x 2)
	Picture In Picture (PIP)	Analog / Digital
Features	Picture By Picture (PBP)	BNC / BNC
	Filter Type	3D Comb Filter / Deinterlace
	LCD Protection Glass	Yes
	Noise Reduction	Yes
	Auto Source Sequencing	Yes
	Multi Language	English, Spanish, French, German, Italian
Dimension	Outline Dimension (w/o stand)	39.37" x 24.212" x 3.937"
	Outline Dimension (w/ stand)	39.37" x 25.197" x 9.448"
	Net. Weight	34.97Kg (77.1lbs)
Cabinet	Material / Color	Metal / Black
	Base Stand	Desk Top Stand
Warranty	Part/Labor	2year / 2year
	MTBF (Approx.)	50,000 Hours
Regulations		RoHs, TUV NRTL (optional), CB, FCC(A), CE-Emc(LVD)
Power	Consumption: < On	< 190W
	Electrical Ratings	AC100 ~ 240V(50/60Hz)
Circumstance	Operating Temperature	0 ~ 50° C / 32 ~ 122° F
	Storage Temperature	-20 ~ 60° C / -4 ~ 140° F
Mounts	VESA™ Mount Size	400 x 200mm
	Wall	WB-2642
	Ceiling	CMH-01 with FMA-01

*Design and specifications are subject to change without notice

DIMENSIONS



OTHER VIEW



MOUNT OPTIONS

