



SPECIAL FEATURES

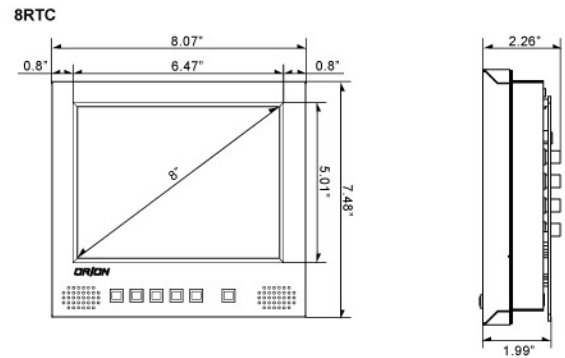
- All Metal Cabinet
- 2D Comb Filter
- Built-In Speakers
- 800 x 600 at 60Hz Maximum Resolution
- BNC Video In 2 / Out 2, S-Video In 1, VGA In 1, PC Stereo 1
- Trigger Sensor is Featured
- Wall and Rack Mount Kit Available

SPECIFICATIONS

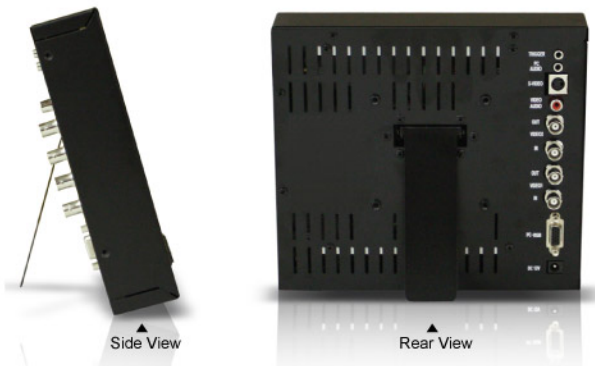
		8RTC
Display	Screen Size	8 Inch
	Max. Resolution	800 x 600 @ 75Hz
	Pixel Pitch	0.2025 x 0.2025mm
	Brightness	250cd/m ²
	Contrast Ratio	500 : 1
	Aspect Ratio	4 : 3
	Viewing Angle (H/V)	140° / 120°
	Display Color	16.2 Million
	Response Time	< 25ms
	Video System	NTSC / PAL
Interface	Video In / Out (BNC Type)	2 / 2
	S-Video In	1
	VGA In (15Pin D-Sub)	1
	Audio In (RCA Type)	1
Audio	PC Stereo In	1
	Built-in Speakers	Yes (2W x 2)
	Filter Type	2D Comb Filter
Features	Trigger Sensor	Yes
	Multi Language	English, Spanish, French
	Outline Dimension	8.07" W x 7.48" H x 2.26" D
Dimension	Net. Weight	1.9Kg (4.4lbs)
	Material / Color	Metal / Black
Cabinet	Base Stand	Folding Leg
	Part/Labor	2year / 2year
Warranty	MTBF (Approx.)	20,000 Hours
	Regulations	RoHS, TUV NRTL (optional), CB, FCC(A), CE-Emc(LVD)
Power	Consumption: < On	< 20W
	Electrical Ratings	AC100 ~ 240V(50/60Hz) DC12V / 1.5A
Circumstance	Operating Temperature	0 ~ 50 C / 32 ~ 122 F
	Storage Temperature	-30 ~ 80 C / -22 ~ 176 F
Mounts	VESA® Mount Size	75 x 75mm (BS M4 x 10mm Screw)
	Wall	WB-10, WB-30, WB-31
	Ceiling	CMK-01
	Rack	RMK-08

*Design and specifications are subject to change without notice

DIMENSIONS



OTHER VIEW



MOUNTING BRACKET



Optional RMK-08 for Rack Mount w/ Two 8RTC